



REF MDR107004

MEDLINE BARIATRIC BED

OWNER'S ASSEMBLY & OPERATING MANUAL



DEALER: This manual must be given to the user of the medline bariatric bed.

USER: Please read this manual completely for warnings, proper assembly, maintenance, and safe usage instructions before using this bed. Save manual for future reference.

* The total weight limit of the medline bariatric bed (including accessories, mattress, occupant and any other object positioned on the bed) is 600 lbs.

TABLE OF CONTENTS

Warnings and Cautions

General Warnings	3
Electrical Cautions.....	5
Weight Limitations.....	6

Packaging / Handling

Unpacking.....	7
Inspection/Storage	7

Assembly

Connecting both halves	8
Installing Headboard / Footboards	9
Installing castors	9
Installing Frame Support Assemblies.....	10
Drive Shaft Assembly	11
Connecting the head end motor to junction box.....	12
Connecting the junction box	13

Bed Operation

Pendant use.....	14
------------------	----

Bed Maintenance

Cleaning the Bed.....	15
Inspecting the Bed.....	15
Troubleshooting Guide.....	16
Parts Diagram	17
Limited Warranty	20

WARNINGS

TO ENSURE YOUR SAFETY IN USING THIS MEDLINE BARIATRIC BED, ALL WARNINGS AND SAFETY INFORMATION AND ALL INSTRUCTIONS MUST BE FOLLOWED. FAILURE TO DO SO MAY RESULT IN SERIOUS BODILY INJURY OR DAMAGE TO THE BED.

DO NOT USE THIS PRODUCT WITHOUT FIRST READING AND UNDERSTANDING THE INSTRUCTIONS CONTAINED IN THIS BOOKLET. IF YOU ARE UNABLE TO UNDERSTAND THE WARNINGS, CAUTIONS OR INSTRUCTIONS, CONTACT A HEALTHCARE PROFESSIONAL, DURABLE MEDICAL DEALER OR TECHNICAL PERSONNEL, OR CONTACT MEDLINE AT 1-800- MEDLINE BEFORE USE - OTHERWISE SERIOUS BODILY INJURY OR PRODUCT DAMAGE MAY OCCUR.

A QUALIFIED TECHNICIAN MUST PERFORM ANY REPAIR OR CHANGE TO THIS BED OR SERIOUS INJURY MAY OCCUR. TECHNICIANS: DO NOT SERVICE THE BED WITHOUT FIRST READING AND UNDERSTANDING THIS OWNER'S MANUAL. IF YOU ARE UNABLE TO UNDERSTAND THE WARNINGS, CAUTIONS OR INSTRUCTIONS, OR HAVE ANY QUESTIONS, CONTACT MEDLINE AT 1-800- MEDLINE.

DO NOT USE ACCESSORIES, PARTS, OR ADAPTERS OTHER THAN THOSE AUTHORIZED BY MEDLINE.

WARNINGS/CAUTION NOTICES USED IN THIS MANUAL APPLY TO HAZARDS OR UNSAFE PRACTICES WHICH COULD RESULT IN PERSONAL INJURY AND/OR PROPERTY DAMAGE.

SAVE THESE INSTRUCTIONS FOR FUTURE REFERENCE!

Read ALL general guidelines, warnings and cautions before performing any repair / maintenance on the bed. All repair and maintenance on the bed should be performed by a qualified technician. After any adjustments, repair or service and BEFORE use, make sure all attaching hardware are tightened securely and the bed functions properly as designed.

Inspect all parts for shipping damage before assembly and use. In case of damage, do not use. Contact your shipping carrier within 5 days of receipt for instructions. For any non-shipping issues, contact your Medline Dealer within 15 days of receipt for further instructions.

Do not use near explosive gases. Possible fire hazard when used with oxygen administering equipment other than nasal or masked type.

Use ONLY mask or nasal type oxygen administering equipment around the bed. The use of any other type of oxygen administering equipment can result in a fire hazard.

When using nasal or masked type administering equipment, oxygen or air tubing must be routed and secured properly to ensure that tubing does not become entangled and eventually severed during normal operation of the bed.

WARNINGS

When using liquids in or around the bed, caution should be taken to ensure that liquids of any kind are not spilled. If a liquid is spilled in or around the electric bed, unplug the bed immediately before cleaning. Clean up the spill and let the bed or area around it dry thoroughly before using the electric controls again.

Close supervision is necessary when this product is used by or near children or physically challenged individuals.

NEVER PERMIT ANYONE TO BE UNDER THE BED OR IN BETWEEN THE RAISED BED FRAME COMPONENTS AT ANY TIME.

Never permit more than one person on/in the bed at any time.

Keep the bed a minimum of 12 inches away from any direct heat source.

When the bed is not going to be used for an extended period, **UNPLUG** electric bed from the wall outlet.

DO NOT unplug the power cord from the junction box.

The bed is not designed to be used as a patient transport. When transporting a patient, use an approved patient transport, otherwise injury or damage may result.

After assembly, test to make sure that all sections are properly and securely in place and operate correctly **BEFORE** use.

Ensure that the head and foot spring sections are securely locked to each other and to the head and foot-boards **BEFORE** use.

Ensure that the pendant and power cords are routed and secured properly so the cords do not become entangled, pinched and/or severed during operation of the electric bed. **NEVER** operate the bed if these cords are damaged.

Keep all moving parts and all drive shafts free of obstructions during operation of the bed. (i.e. blankets/sheets, heating blankets/pads, tubing, wiring, etc. and other types of products using electric cords which may get tangled around the bed, legs or optional side rails) or serious injuries may occur.

Ensure the bed caster locks are properly engaged to prevent casters from moving whenever the bed is stationary. **ALWAYS** lock the caster locks when transferring into or out of the bed. **Inspect** the caster locks **BEFORE** using the bed to ensure the locks function adequately. Even with casters properly locked, some floor surfaces will allow the bed to move under some conditions. Use of the bed on such floor surfaces must be evaluated by the care provider.

If any part of the bed is not working properly, call a qualified technician to examine and repair it. Do not operate the bed with the HI/LO Crank Handle attached to bed otherwise serious injury may occur.

ENTRAPMENT MAY OCCUR. Proper patient assessment and monitoring, and proper maintenance and use of equipment is required to reduce the risk of entrapment. Variations in bed rail dimensions, and mattress thickness, size or density could increase the risk of entrapment. Visit the FDA website at <http://www.fda.gov> to learn about the risks of entrapment. Once patient assessment concludes that the patient's condition increases the chance of entrapment, the bed **MUST** be in the flat position when left unattended.

WARNINGS AND CAUTIONS

GENERAL CAUTIONS

The bed rails may become deformed or broken if excessive side pressure is exerted on the bed rails. This bed rail is not an assist rail for getting into or out of bed. **DO NOT** use the bed rails as push handles when moving the bed.

The bed rails are **NOT** intended nor may be used for restraint purposes. If an individual is capable of injuring himself/herself, a physician or a healthcare professional should be consulted for alternative means of safe restraint.

Trapeze units must be positioned on a universal bed end as near as possible to the center point of the bed end. The trapeze is to be used only in assisting the patient in repositioning or transferring in or out of the manual/ electric bed.

NEVER allow patients to use trapeze or traction units as a total individual weight support.

Improper use of some bed accessories (patient restraints, side rails, trapeze devices, etc.) can cause patient injury or death. Consult your health care professional or the accessory manufacturer for proper use instructions. If using optional bed side rails and bed extension kit, check to ensure they are properly and securely in place **BEFORE** using the bed.

Individuals that cannot prevent themselves from rolling/climbing out of the bed may require alternative safe means of restraint.

Replacement mattresses and bed rails with dimensions different than the original equipment supplied or approved by Medline may not be interchangeable. Variations in bed side rail design and thickness, size or density of the mattress could cause entrapment. Use **ONLY** authorized Medline replacement parts.

For semi-electric and full electric beds, always remove the manual crank before performing electronic functions. If left in place, the crank will turn when the motor is on and could cause personal injury or damage to the bed.

When disassembling the bed, make sure all parts are in the lowest position.

ELECTRICAL CAUTIONS

Never operate the bed if it has a damaged cord or plug. If it is not working properly call a qualified electrician. The beds are equipped with three-prong (grounding) plugs for protection against possible shock hazards.

Connect only to a three-prong outlet. **Do not** defeat the grounding safety feature by using a three-prong to two-prong adapter. If necessary, have outlet ground reliability checked by a qualified electrician.

Never plug into an outlet that is greater than 120 Volts AC.

Keep all cords away from heated or hot surfaces.

Ensure all cables and cords are routed in a way such that they will not become entangled or pinched.

WARNINGS AND CAUTIONS



ELECTRICAL CAUTIONS

Do not place Pendant under or between objects. This may cause damage to pendant or cause bed to function unintentionally and may cause damage to bed or possible injuries to patient and caregiver.

Do not open assemblies such as the motors, hand control unit, junction boxes or electrical control boxes. There are no user serviceable parts inside. Only trained service personnel are qualified to repair these parts. If uncertified individuals perform any work on these beds, the warranty is voided.

Radio Frequency Interference (RFI)

Electronic equipment may be influenced by Radio Frequency Interference. Exercise caution with regard to the use of portable communications equipment in the area around such equipment. If RFI causes erratic behavior, unplug the bed immediately until transmission is complete.

Do not use parts, accessories, or adapters other than those authorized by Medline.

Unplug the power cord **BEFORE** performing any maintenance on the bed.

After installing any connectors into the junction box, be sure the cable plug is secure otherwise injury or damage may occur.

DO NOT force connectors into the junction box otherwise injury or damage may occur.

DO NOT unplug the power cord from the junction box.

DO NOT operate the bed unless the ground wire is attached to frame.



WEIGHT LIMITATIONS

The TOTAL weight limit of the Medline Bariatric Bed (including accessories, mattress, occupant and any other object positioned on the bed) is 600 lbs.

Never permit more than one person on/in the bed at any time.

Replacement mattresses and bed rails with dimensions different than the original equipment supplied or approved by Medline may not be interchangeable. Variations in bed side rail design, and thickness, size or density of the mattress could cause entrapment. Use ONLY authorized Medline replacement parts.

Body weight should not be distributed in excess of 45% on the head section, 30% on foot section, and 25% on middle section of the bed. Do not lay, sit or lean in such a way that your entire body weight is placed only on any section of the bed. This includes when repositioning or transferring in or out of bed.

PACKAGING/HANDLING

UNPACKING

1. Check bed components for any obvious damage to the carton or its contents. If damage is evident, contact your local dealer.
2. Remove any loose packing from the cartons.
3. Carefully remove all components from the cartons.

CAUTION

DO NOT attempt to operate bed controls prior to completion of assembly as damage to bed components may occur.

The three cartons and contents are as follows;

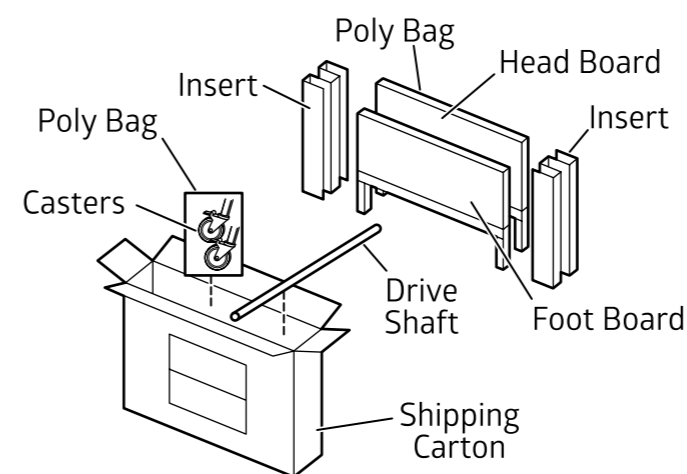
1. BED END carton:

One (1) HEADBOARD.

One (1) FOOTBOARD.

One (1) Drive Shaft Assembly, two-piece.

Four (4) Casters (two (2) locking and two (2) non locking casters).



2. FOOT SPRING carton:

One (1) FOOT SPRING (electric beds include pendant, junction box and cord).

One (1) Emergency crank handle

Two (2) Frame Support Assemblies.

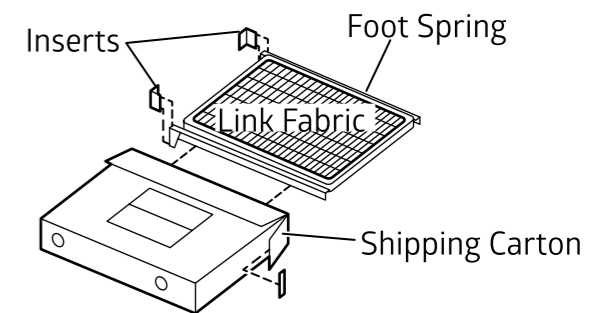
3. HEAD SPRING carton:
One (1) HEAD SPRING.

INSPECTION

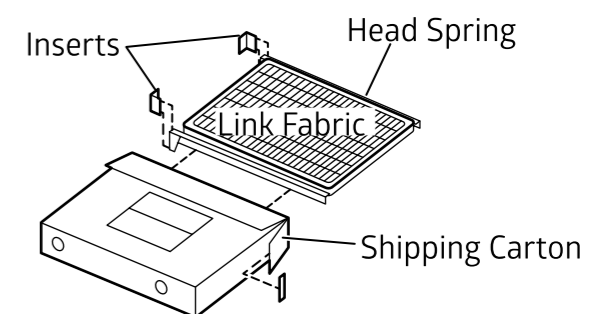
1. Examine each item carefully for scratches, nicks, dents or any other apparent damage.
2. Inspect the power supply cord for cuts or damage to the cord and/or plug.
3. Inspect the junction box for any damage to the connectors.
4. Ensure that the motor plugs are in good working order and fit properly into the junction box.

STORAGE

1. If bed is not to be assembled immediately, retain the cartons and packaging for storage until assembly is to be performed.
2. Store the repackaged bariatric bed in a dry area.
3. **DO NOT** place other objects on top of the repackaged cartons.



NOT Shown:
Junction Box w/ Cord
Pendant
Emergency Crank Handle



ASSEMBLY

THIS PROCEDURE INCLUDES THE FOLLOWING:

- Connecting the head/foot sections
- Connecting the spring fabric
- Adjusting and reconnecting the head spring pull tube
- Raising the bed ends
- Assembling the bed ends installing the casters
- Installing frame support assemblies
- Drive shaft assembly and Installation
- Connecting the head end motor to the junction box
- Activating the bed functions

CAUTION

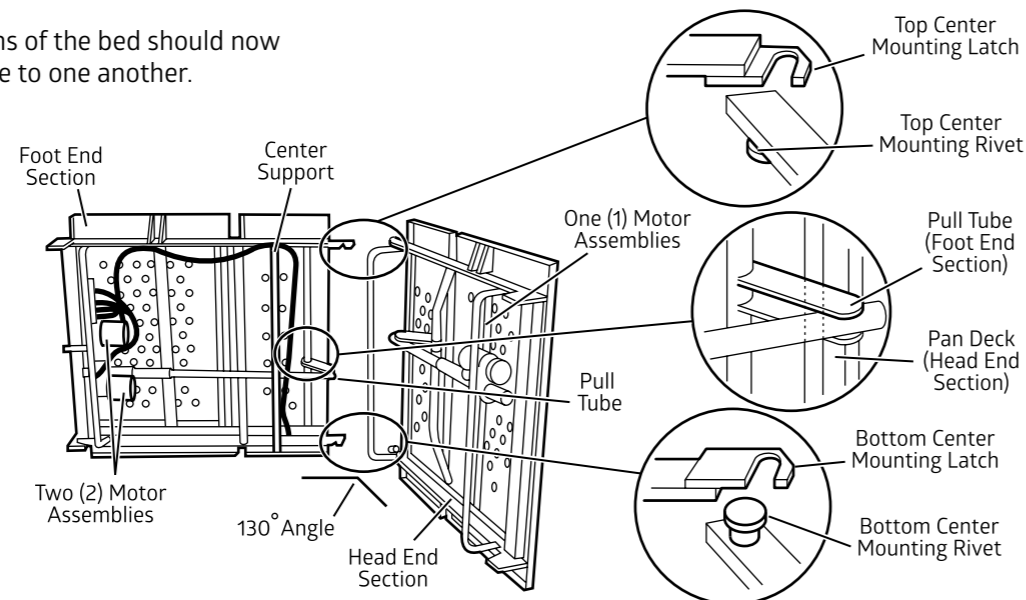
DO NOT attempt to operate bed controls prior to completion of assembly as damage to bed components or personal injury may occur.

BARIATRIC BED ONLY

NOTE: We recommend that two (2) people perform this procedure.

1. Remove the head end section of the bed from the packaged container and place it on its side to your RIGHT with the center mounting latches to your LEFT.
2. Remove the foot end section of the bed from the packaged container and place it on its side to your LEFT with the center mounting rivets facing to your RIGHT.
3. The bed end section with two (2) motor assemblies (FOOT end section) should be to your LEFT and the bed end section with one (1) motor assembly (HEAD end section) should be to your RIGHT.
4. The head and foot end sections of the bed should now be on their side at a 130° angle to one another.

NOTE: Before connecting the head and foot end sections, make sure the pull tube on the foot end section is positioned on the underside of the pan deck on the head end section.



CAUTION

When assembling the head and foot end sections of the bed, the head end section of the bed should be positioned so that it is at a 130° angle to the foot end section of the bed. Otherwise, the pull tube on the foot end section of the bed will not clear the pan deck of the head end section of the bed and damage may result.

5. Hook the TOP center mounting latch on the HEAD end section of the bed with the TOP center mounting rivet on the FOOT end section of the bed.
6. With one (1) person holding the TOP of the bed together, have the other person hook the BOTTOM center mounting latch on the HEAD end section of the bed with the BOTTOM center mounting rivet on the FOOT end section of the bed.

NOTE: It may be necessary to grasp the center support of the foot end section of the bed so that the BOTTOM center rivet can be maneuvered into the BOTTOM center mounting latch.

NOTE: It may be necessary to slightly lift the head OR foot end sections of the bed to secure the center rivets into the center mounting latches.

7. After the head and foot end sections of the bed are connected, push the ends into a horizontal (straight) position while still on their sides.

ASSEMBLY

RAISING THE BED ENDS (FIGURE 5)

1. The bed legs must now be raised 1/4-inch (.6 cm). This can be accomplished by inserting the manual crank into the foot end gear box receptacle and turning clockwise until the bed end is at the correct height.
2. Insert the crank into the head end receptacle and raise the head end to the correct height.

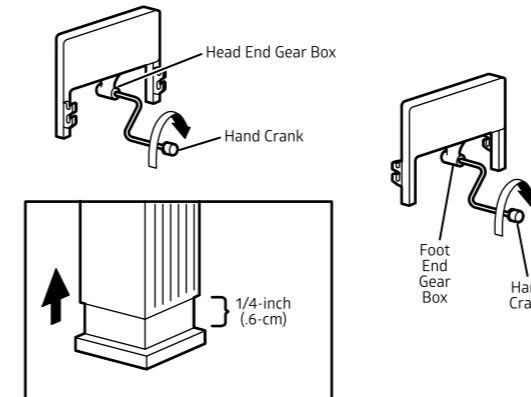


FIGURE 5 RAISING THE BED ENDS

NOTE: We recommend that two (2) people perform this procedure for the Bariatric Bed.

NOTE: When connecting the bed ends (headboard and footboard), remember that the headboard is the taller of the two.

1. Stand the headboard as close to the head spring as possible.

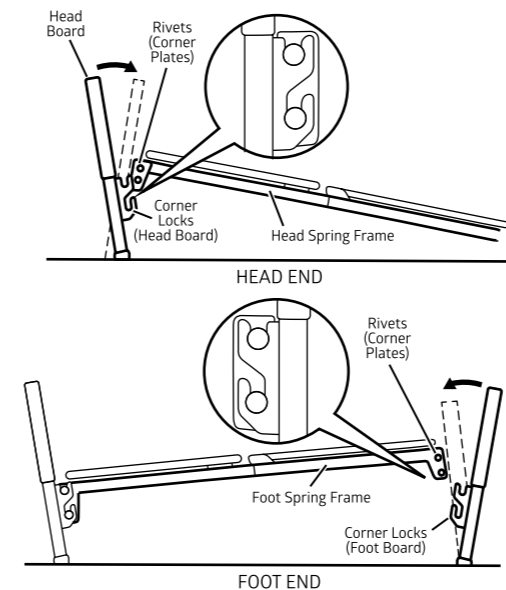


FIGURE 6 ASSEMBLING THE BED ENDS

2. With one hand, grasp the head spring frame and raise it until rivets on the corner plates of the spring are at the correct height to fit into the corner locks on the headboard.
3. Tilt headboard backward slightly and the rivets should slide into the corner locks more easily.
4. When the headboard is returned to its full upright position, the headboard will lock into place.
5. Repeat the same procedure for the footboard.

CAUTION

The proper casters are provided with the Bariatric Bed. **DO NOT** use any other casters with the Bariatric Bed otherwise, injury or damage may result.

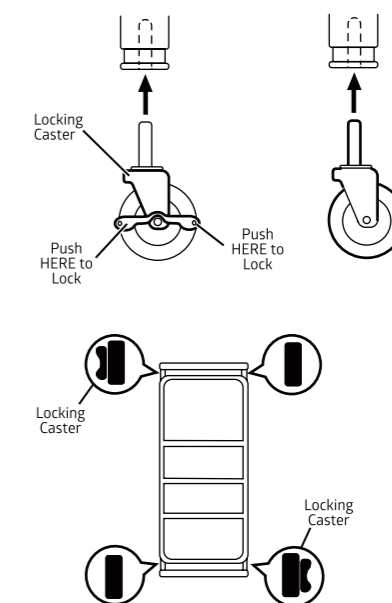
NOTE: Position the (2) locking casters diagonally opposite from one another.

NOTE: If two (2) locking casters are NOT included with the bed, contact a qualified dealer.

1. Install casters by carefully lifting the bed ends approximately 5 inches (12.7 cm) from the floor and insert the shaft of caster assembly into the caster socket.
2. To prevent excess movement of the bed, lock each of the two (2) locking casters by pushing DOWN on the side of the caster lock that is labeled ON.

NOTE: Locking the casters may NOT prevent the bed from moving on slick or slippery surfaces.

3. To unlock each of the two (2) locking casters, push DOWN on the side of the caster lock that is labeled OFF.



ASSEMBLY

INSTALLING FRAME SUPPORT ASSEMBLIES

WARNING

The frame support assemblies **MUST** be securely fastened to the bed frame **BEFORE** use. Otherwise, injury or damage may result.

NOTE: Two (2) people are required when performing this procedure.

1. Unfold one (1) frame support assembly so that the center mounting bracket is in the middle and the two (2) side support mounting brackets are on either side (DETAIL "A").
2. Position the LARGE mounting hole on one (1) side of the support mounting bracket over the rivet near the HEAD end section of the bed.
3. Pull the frame support assembly toward the FOOT end section of the bed until the rivet near the HEAD end section of the bed slides into the SMALL mounting hole in the side support bracket.

4. While performing STEP 3, position the LARGE mounting hole in the opposite frame support bracket over the rivet near the FOOT end section of the bed.

5. Allow the frame support assembly to hang from the two (2) rivets.

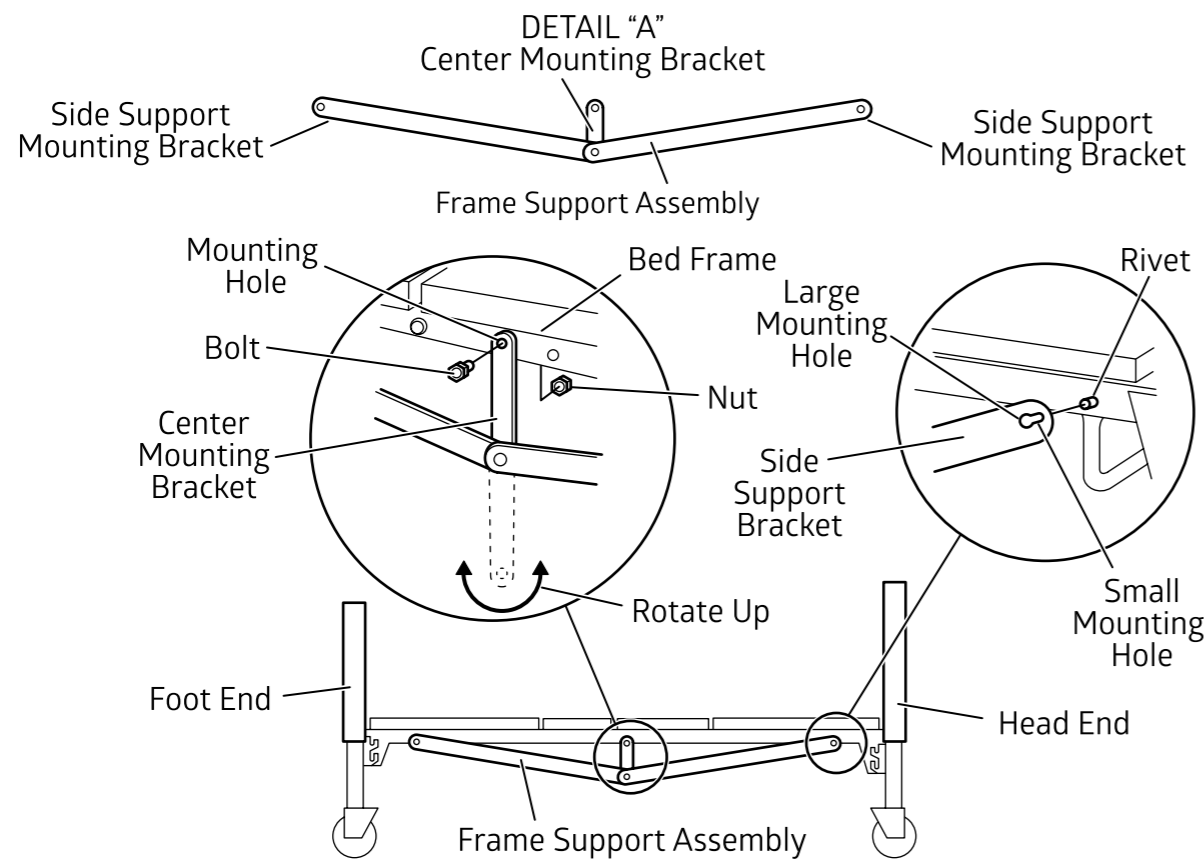
NOTE: Make sure the two (2) rivets on either side of the bed are positioned in the two (2) SMALL mounting holes in the frame support assemblies.

6. Rotate the center mounting bracket until the mounting hole aligns with the mounting hole in the side of the bed frame.

NOTE: It may be necessary to lift up on the side of the bed frame so that the mounting holes in the center mounting bracket align with the mounting holes in the bed frame assembly.

7. Install the bolt through the mounting hole in the center mounting bracket and through the mounting hole in the bed frame assembly. Securely tighten with the bolt.

8. Repeat STEPS 1-7 for the opposite frame support assembly.



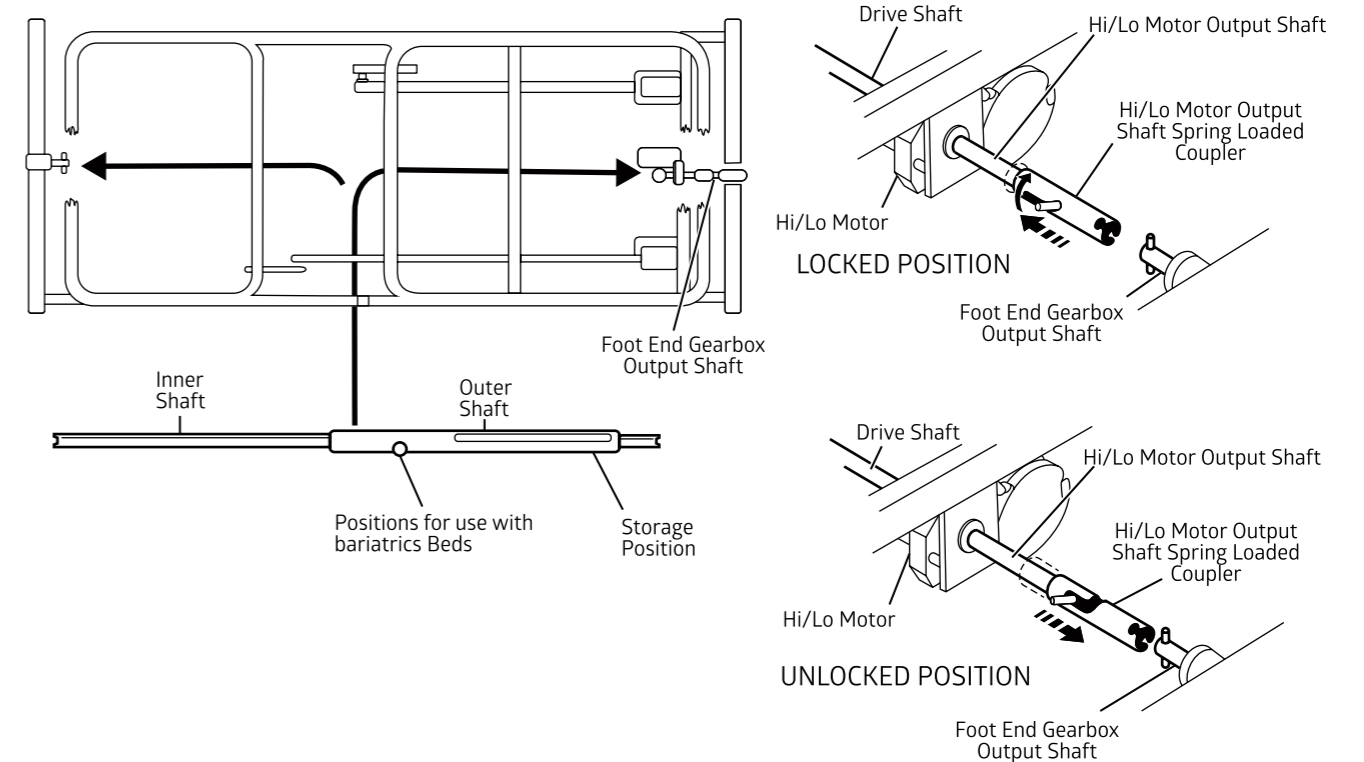
ASSEMBLY

DRIVE SHAFT ASSEMBLY INSTALLATION

The drive shaft is composed of two (2) sections. The inner shaft which has a positioning spring button, and the outer shaft, which has two (2) positioning holes and one (1) storage position hole. Together they make the telescoping drive shaft used on the bariatric beds.

1. Remove the plastic caps from each end of the drive rod.
2. Depress spring button on the inner shaft and insert the inner shaft into the outer shaft.
3. Slide the inner shaft to the desired position for the type of bed bang used and engage the spring button into the proper positioning hole.
4. Engage the spring button in to the positioning hole in the outer shaft.
5. Connect the drive shaft to the bed by attaching either end of the drive shaft to the head end gear box.

6. Connect the other end to the Hi/Lo motor output shaft and then connect the foot end gearbox output shaft to the Hi/Lo motor output shaft spring-loaded coupler.
7. Release the drive shaft spring-loaded coupler by pushing in against the spring-loaded coupler and turn it clockwise.
8. Locate the Hi/Lo motor output shaft spring-loaded coupler.
9. Release the Hi/Lo motor shaft spring-loaded coupler to properly connect it with the foot end gear box output shaft by pushing in against the Hi/Lo motor output shaft spring-loaded coupler and turning it clockwise.
10. The coupling will release and engage the foot end output shaft.
11. Ensure that all components are securely installed.



ASSEMBLY

CONNECTING THE HEAD END MOTOR TO THE JUNCTION BOX

WARNING

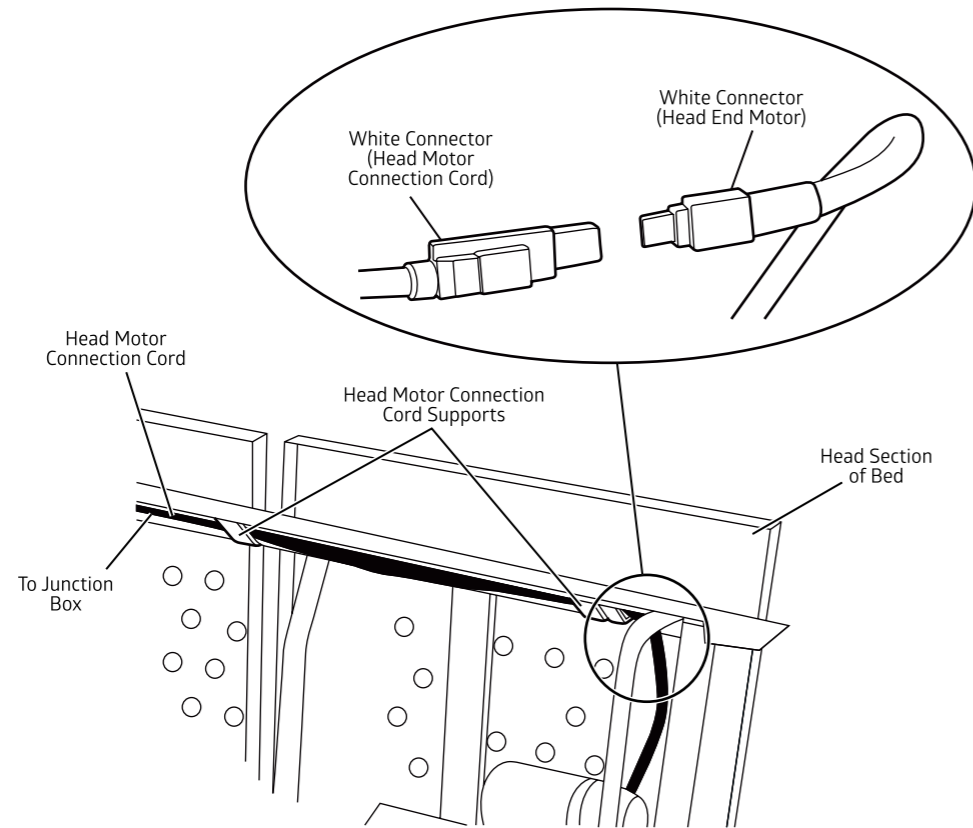
The head motor connection cord **MUST** be properly positioned in the four (4) head motor connection cord supports on the underside of the bed frame **BEFORE** use. Otherwise, injury or damage may result.

NOTE: To disconnect the head end motor from the junction box, reverse the following steps.

1. Locate the head motor connection cord that connects the junction box to the head end motor.

NOTE: The Bariatric Bed is shipped with the head motor connection cord positioned in the head motor connection cord supports on the foot end section of the bed.

2. Locate the two (2) head motor connection cord supports on the head end section of the bed.
3. Feed the head motor connection cord through the two (2) head motor connection cord supports.
4. Connect the WHITE connector of the head motor connection cord to the WHITE connector of the head end motor.

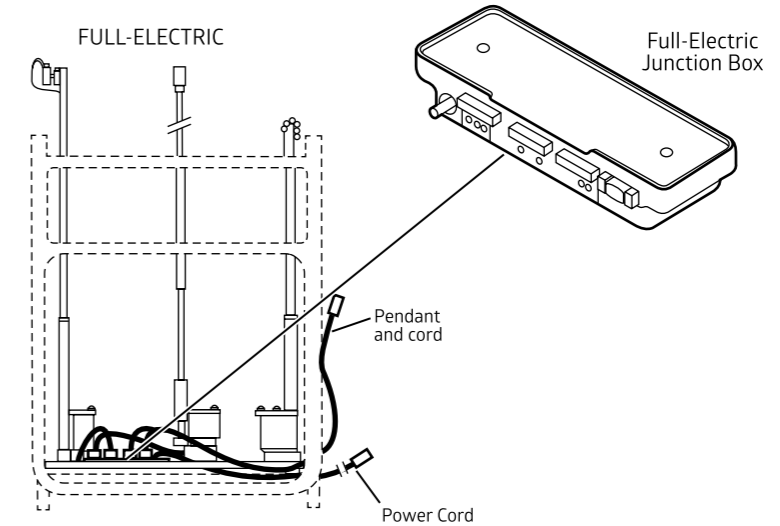


CONNECTING THE HEAD END MOTOR TO THE JUNCTION BOX

ACTIVATING THE BED FUNCTIONS

1. Recheck all electrical connections on junction box at foot end ensuring that all motors are plugged into the correct locations.
2. Plug the junction box cord into a property grounded 110-volt, 60 cycle outlet.

ASSEMBLY



ACTIVATING THE BED SECTIONS

INSTALLING/REMOVING CONNECTORS INTO/FROM THE JUNCTION BOX

Installing

WARNING

Before installing the connector into the junction box, be sure the locking tab is facing downward - otherwise, injury or damage may occur.

1. Grasp the connector and position it so the locking tab is facing DOWNWARD (FIGURE 1).

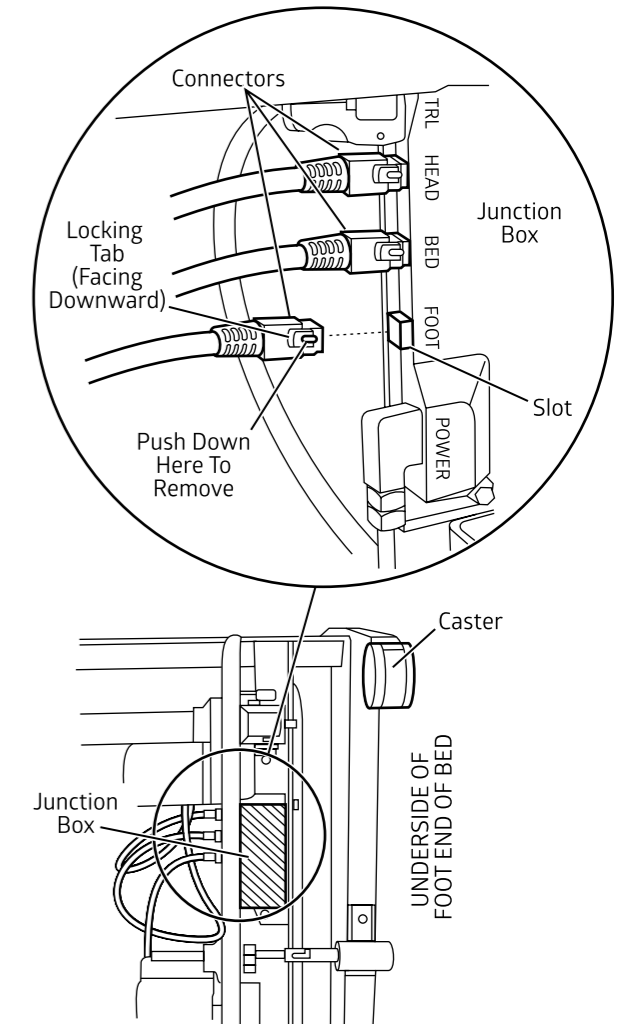
WARNING

DO NOT force the connector into the junction box, otherwise injury or damage may occur.

2. Gently, push the connector into the appropriate slot on the junction box until it locks into place and an audible "click" is heard.
3. If the connector DOES NOT slide easily into the slot on the junction box, check to make sure the locking tab is facing DOWNWARD and repeat STEP 2.

Removing

1. Push down on the end of the locking tab on the connector.
2. While performing STEP 1, pull the connector away from the junction box.



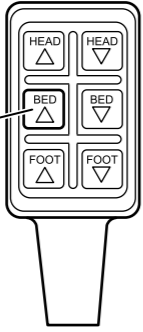
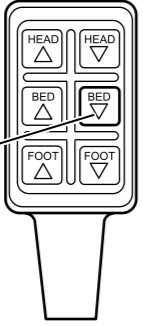
INSTALLING/REMOVING CONNECTORS INTO/FROM THE JUNCTION BOX

OPERATION AND ADJUSTMENT

BARIATRIC BED OPERATION

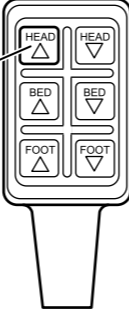
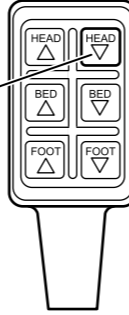

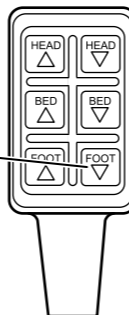
1. The accompanying pictures detail the bariatric beds and will acquaint the user with the bed functions and controls.
2. Operate the bed through all phases of its operation.
3. If any problems arise during test, recheck all electrical connections and mechanical hook ups.
4. Bariatrics beds use a six (6) function pendant for all bed operation.
5. All Bariatrics beds come with an emergency crank to allow continued operation in the event of a power outage.

RAISING AND LOWERING THE ENTIRE BED

TO RAISE ENTIRE BED
<p>Depress button "BED" "UP" as shown on pendant control. This will raise the entire height of the bed.</p> 
TO LOWER ENTIRE BED
<p>Depress button "BED" "DOWN" as shown on pendant control. This will lower the entire height of the bed.</p> 

RAISING AND LOWERING THE ENTIRE BED

RAISING AND LOWERING THE HEAD AND FOOT SECTIONS

TO RAISE THE HEAD SPRING SECTION
<p>Depress button "HEAD UP" as shown on pendant control. This will raise the head portion of the bed ONLY.</p> 
TO LOWER THE HEAD SPRING SECTION
<p>Depress button "HEAD DOWN" as shown on pendant control. This will lower the head portion of the bed ONLY.</p> 
TO RAISE THE FOOT SPRING SECTION
<p>Depress button "FOOT UP" as shown on pendant control. This will raise the foot portion of the bed ONLY.</p> 
TO LOWER THE FOOT SPRING SECTION
<p>Depress button "FOOT DOWN" as shown on pendant control. This will lower the foot portion of the bed ONLY.</p> 

RAISING AND LOWERING THE HEAD AND FOOT SECTIONS

BED MAINTENANCE

RECOMMENDED MAINTENANCE OF MEDLINE HOMECARE BEDS

The following maintenance practices are recommended for Medline beds. For any questions, please call Medline Bed Technical Support at 1-800-289-9793. Press 1 and then press 3 (from 8:00 am to 5:00 pm Central Standard Time).

CLEANING THE BED

Follow these steps for keeping your Medline bed in clean condition:

1. Unplug the full or semi-electric bed before cleaning.
2. Medline beds should not be washed down with a pressure washers or steam cleaner. Doing so can result in problems with the electrical system.
3. Inspect bed components for any exposed metal. To prevent rusting, Medline recommends covering exposed metal areas with touch-up paint. Contact Medline Bed Technical Support for paint.
4. Electrical components (motor, junction box, and pendant which are rated as IP66), frame and head board/foot boards are washable with standard water pressure.
5. The headboard and footboard should be disconnected from the frame before cleaning. When cleaning the headboard and footboard, stand them in an upright position, and use a mild detergent and soft cloth. Gently scrub all exterior surfaces. The headboard and footboard can be rinsed thoroughly with warm water. Do not exceed a water temperature of 110 degrees F.
6. Thoroughly dry all bed parts and components.
7. Disassemble the headspring and footspring assemblies before washing. When cleaning headspring and foot spring assemblies, stand the assemblies on edge and wash with a mild detergent. Using a soft sponge or brush, scrub all exterior surfaces. Rinse thoroughly, then completely towel dry all components.
8. To disinfect the bed, wipe down all surfaces of the bed with a disinfectant and allow to dry completely.

INSPECTING THE BED

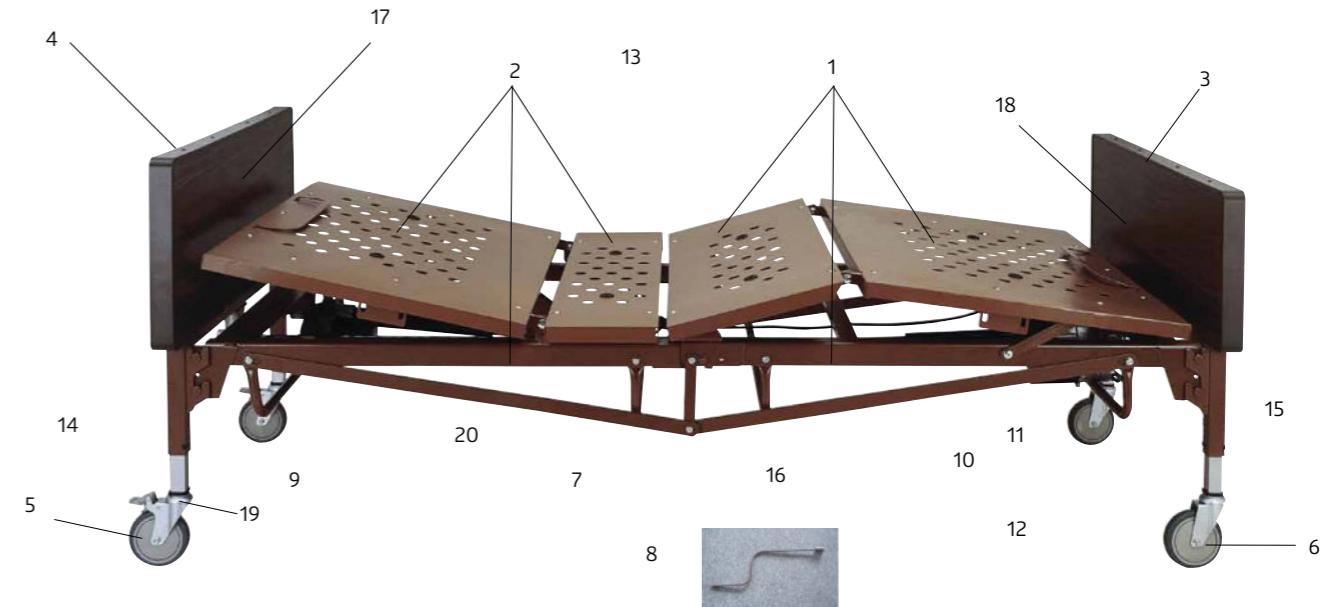
The following maintenance procedure should be followed on an as needed basis:

1. Inspect casters to ensure they roll and lock properly.
2. Inspect pull tubes and motor drive shafts to ensure they are not bent, damaged or excessively worn.
3. Inspect headspring and foot spring sections for excessive wear, bent parts, or other damage.
4. Inspect all welds for cracks.
5. Check all spring decks to ensure links are in place and are not damaged.
6. Inspect all bolts and rivets to ensure they are tight and are not damaged.
7. Inspect all other mechanical parts to ensure there is no damage or excessive wear.
8. Inspect all bed motions: headspring rises/lowers properly, foot spring rises/lowers properly, bed height raises/lowers properly.
9. Ensure all electrical cables have no insulation damage and connectors are in proper working order.
10. Inspect the electrical junction box to ensure there are no cracks and the electrical power cord is not damaged.
11. Inspect all electrical bed components for damage or excessive wear (i.e. cracked or broken housing, worn components.)
12. Inspect pendant, power, and motor cords for excessive wear, insulation damage, or cuts.
13. Inspect all bolts that are at hinge points. Apply a minimal amount of lithium grease if needed.
14. Check the center drive shaft to ensure it is not bent and the ends are in good condition.



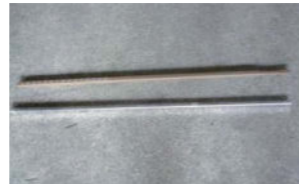
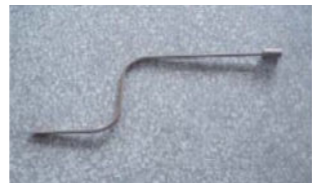




TROUBLESHOOTING GUIDE





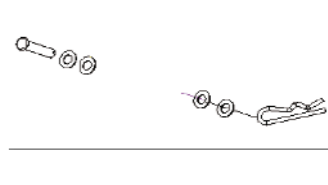



PROBLEM	POSSIBLE CAUSE	CORRECTIVE ACTION
Nothing happens when the button is pressed on the pendant.	Bed is not plugged in.	Plug the bed's power cord into an electrical outlet.
	Fuse is blown or your home's circuit breaker is tripped.	Check fuse or circuit breaker.
	Motor's thermal switch was tripped.	Let motor cool down and try again.
	Pendant is not connected to the motor control box.	Check to be sure pendant is properly plugged in to the junction box.
	Power cord, junction box, pendant cord or cables are damaged or defective.	Call your Medline dealer for service and repair.
	End of stroke is reached.	Operate opposite button.
	Cords are not properly connected to the junction box.	Ensure cords are seated securely in the appropriate receptacle.
	Motor will not function after other possible causes have been eliminated.	Call your Medline dealer for service and repair.
The head (or foot) of the bed is always higher than the other end of the bed.	The bed ends were not leveled when the bed was assembled.	See instructions for "Leveling the Bed".
	Two footboards (or headboards) were used instead of one of each, or headboard and footboards are switched incorrectly.	Headboard is taller than footboard; check and exchange.
Only headboard (or footboard) rises when Hi-Lo adjustment is made.	The pin in the middle of the center drive shaft has fallen out, allowing the shaft to collapse and disengage.	Replace the pin and reconnect the center drive shaft into the shaft ends.
	The center drive shaft ends are not properly engaged with the pins at each end.	Check both ends of the drive shaft for proper connection.
	One or more of the pins in the center drive shaft have broken.	Call your Medline dealer for service and repair.
	Damaged mechanism inside the bed boards.	Call your Medline dealer for service and repair.
Back or knee section will not raise or lower even though you turn the crank.	There are internal problems with the drive shaft mechanism.	Check to see that the drive mechanism has been properly installed. May need to call your Medline dealer for service and repair.
	The extension tube is not correctly installed.	Ensure extension tubes are correctly connected. Check for binding. May need to call your Medline dealer for service and repair.
Hi-Lo function does not work	Manual and semi-electric beds: crank not properly installed. Full electric bed: drive shaft disconnected.	Check/reinstall drive shaft. Ensure cord is in proper place on junction box. May need to call your Medline dealer for service and repair.
Pressing hand control buttons results in motion other than intended	Motor cable connections to junction box are incorrect.	Verify cable connections to the junction box are in the correct receptacle.

MEDLINE BARIATRIC HOMECARE BED-MDR107004



Number	Item number	Part description	Bed style	Quantity	Picture
1	MDR710054	Foot Deck Assembly	F	1ea	
2	MDR710114	Head Deck Assembly	F	1ea	
3	MDR710314	Foot Board Assembly	F	1ea	
4	MDR710024	Head Board Assembly	F	1ea	

Number	Item number	Part description	Bed style	Quantity	Picture
5	MDR710034L	Castor, locking	F	1ea	
6	MDR710034S	Castor, non- locking	F	1ea	
7	MDR710124	Drive Shaft	F	1ea	
8	MDR710104	Emergency Crank Handle	F	1ea	
9	MDR710064H	Head Motor	F	1ea	
10	MDR710074H	Foot Motor	F	1ea	
11	MDR710164H	Hi - Lo Motor	F	1ea	
12	MDR710144H	Junction Box	F	1ea	

Number	Item number	Part description	Bed style	Quantity	Picture
13	MDR710HMC	Cable, Extension for Head Motor	F	1ea	
14	MDR710154H	Pendant with cord (two motor)	F	1ea	
15	MDR710025	Gear Box for Head Board	F	1ea	
16	MDR710035	Gear Box for Foot Board	F	1ea	
17	MDR710005	Fastener for Motor Tubes			
18	MDR710244	Panel for Head Board	F	1ea	
19	MDR710254	Panel for Foot Board	F	1ea	
20	MDR710185	Composite Inserts for Casters	F	1ea	

THE MEDLINE BASIC BED LIMITED WARRANTY

The Medline Basic Bed mechanics and electronics are warranted to be free of defects in materials and workmanship for Two (2) year for the original purchaser. Welds and frames are warranted for the life of the bed.

In the event of a defect covered by this warranty, we will, at our option, repair or replace the bed. This warranty does not cover failure due to owner misuse or negligence, or normal wear and tear.

This warranty does not extend to non-durable components, such as casters, which are subject to normal wear and replacement. This warranty gives you specific legal rights and you may have other rights which vary from state to state.

If you have any questions regarding your Medline Home Care Bed or this warranty, please call us Toll Free at: 1-800-MEDLINE (1-800-633-5463).

ALSO AVAILABLE FROM MEDLINE

OVERBED TABLES



MDS107015

- Composite-Top
- Easy to keep clean
- Impervious to moisture
- Won't crack or peel like wood tables
- One-hand adjustable from 30" to 47"
- 30"x15" molded composite top.
- Two locking and two non-locking casters.
- Durable, chrome base.
- Holds up to 50 lbs.



MDS104015

- Laminate-Top
- 30"x15" top with walnut wood grain melamine laminate with a T-mold edge.
- Automatic spring lift mechanism adjusts height from 28" to 45".
- Two locking and two non-locking casters.
- Chrome-plated column and base.
- Holds up to 50 lbs.



MDS104950

- Laminate Tilt-Top
- Three-position tilt with squeeze of the handle.
- 30"x15" top with walnut wood grain melamine laminate with a T-mold edge. Raised edge to hold books and papers in place.
- Height adjustable from 28" to 45".
- Separate tilt and raise/lower handles allow for safe and independent operation of table functions.
- Holds up to 50 lbs.

www.medline.com

©2016 All rights reserved. Medline is a registered trademark of Medline Industries, Inc.
Medline Industries, Inc., Mundelein, IL 60060 USA 1-800-MEDLINE