

# Bariatric trapeze with base MDS500TPZ (500 lb.)

## User instructions and warranty

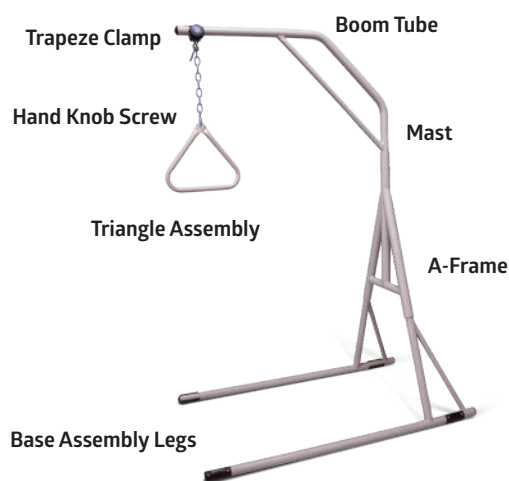
Product is not made with Natural Rubber Latex.

### Installation/assembly instructions:

1. Set up the Base Assembly Legs on a level surface.
2. Attach the A-Frame to the Base Assembly Legs; ensure that the push buttons fully protrude through the frame.
3. Attach the Mast/Boom Tube to the A-Frame (the end without the trapeze clamp); ensure that the push button fully protrudes through the frame.
4. Slide the Trapeze Clamp over the end of the Boom Tube.
5. Loosen the Hand Knob Screw on the Trapeze Clamp and place the Triangle Assembly Chain through the Hand Knob Screw.
6. Tighten the Trapeze Clamp using the Hand Knob Screw; ensure that the snap button fully protrudes through the frame to prevent the movement of the Trapeze Clamp off of the end of the Boom Tube.

### Box contents:

- (2) Base Assembly Legs
- (1) A-Frame
- (1) Mast/Boom Tube
- (1) Triangle Assembly
- (1) Trapeze Clamp
- (1) Hand Knob Screw



### Warning

**DO NOT** assemble or use this product without first reading and understanding this instruction sheet.  
If you are unable to understand the Warnings or Instructions, contact a healthcare professional, dealer or technical personnel before attempting to install this equipment; otherwise, injury or damage may occur.  
After assembly and **BEFORE** use, ensure that **ALL** attaching hardware is securely tightened.  
If, for any reason, a proper fit in installation cannot be achieved, do not use and contact the retailer where purchased for return instructions.  
Trapeze bar is intended to provide balance and support to a patient; it is **NOT** intended to support an individual's full body weight. Using bar to support full body weight may result in product damage and personal injury.

### Limited warranty

Your Medline brand product is warranted to be free of defects in materials and workmanship for a period of three (3) years from the date of purchase. This device was built to precise standards and carefully inspected prior to shipment. This limited warranty is an expression of our confidence in the materials and workmanship of our products and assures years of convenient, dependable service. In the event of a defect covered by this warranty, we will, at our option, repair or replace the device. This warranty does not cover device failure due to owner misuse or negligence, or normal wear and tear. The warranty does not extend to non-durable components, such as rubber accessories, which are subject to normal wear and replacement. Non-durable components are warranted for 6 months. If you have a question about your Medline product or this warranty, please call us at **1-800-MEDLINE**.